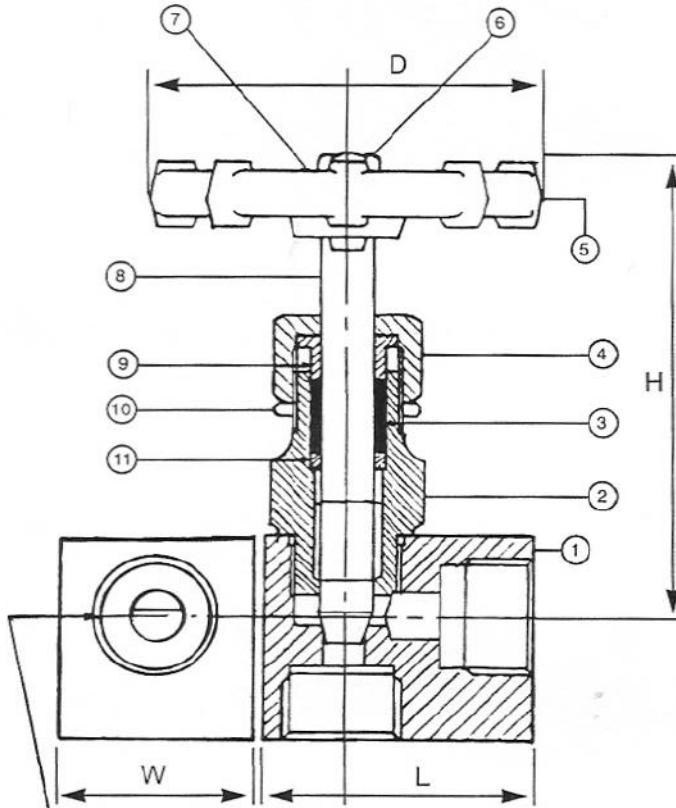


■ **Pressures:** 55 MPa  
 Working: 40 MPa @ Ambient Temp  
 7 MPa @ 220°C

■ **Services:** Instrumentation &  
 Hydraulic Medias  
 Steam: 7 MPa @ 400°C – BC891A



**Connections:** BSPT (AS1722.1) Std  
**Options:** NPT – Socket Weld – Other

Ⓘ BC891A • Graphoil Gland

Ⓜ BC892A • PTFE Gland

\* Option – 'T' Bar

|      |                 |                       |                  |
|------|-----------------|-----------------------|------------------|
| 11   | SEAL RING       | STAINLESS STEEL       | ASTMA276 AISI316 |
| 10   | LOCK NUT        | STAINLESS STEEL       | AISI304          |
| 9    | GLAND FOLLOWER  | STAINLESS STEEL       | ASTMA276 AISI316 |
| 8    | SPINDLE         | STAINLESS STEEL       | ASTMA276 AISI316 |
| 7    | NAMEPLATE       | ALUMINIUM             |                  |
| 6    | HANDWHEEL NUT   | STAINLESS STEEL/BRASS | AISI304          |
| 5    | HANDWHEEL *     | ZINC ALUM BRONZE      | AS1874 AS1565    |
| 4    | GLAND NUT       | STAINLESS STEEL       | ASTMA276 AISI316 |
| 3    | GLAND PACKING Ⓜ | PTFE                  | AS1198           |
| 2    | GLAND PACKING Ⓘ | GRAPHOIL              |                  |
| 2    | COVER           | STAINLESS STEEL       | ASTMA276 AISI316 |
| 1    | BODY            | STAINLESS STEEL       | ASTMA276 AISI316 |
| ITEM | DESCRIPTION     | MAT'L                 | STANDARD         |

**Dimensions**

| Size mm | 6   | 8   | 10  | 15   | 20   |  |  |
|---------|-----|-----|-----|------|------|--|--|
| L       | 38  | 38  | 38  | 58   | 58   |  |  |
| H       | 77  | 77  | 77  | 84   | 108  |  |  |
| D       | 55  | 55  | 55  | 55   | 65   |  |  |
| W       | 25  | 25  | 25  | 40   | 40   |  |  |
| Wt/kgs  | 0.4 | 0.4 | 0.4 | 0.75 | 0.75 |  |  |

Also available as Carbon Steel  
 BC791A BC792A

**PVA PROMET VALVES AUSTRALIA**  
 1A Green Road Woodville West SA 5011  
 www.prometvalves.com promet@prometvalves.com  
 T: 08 8268 1777 ABN 47096 425 697 F: 08 8268 1711

FIG No  
**BC892A** STAINLESS STEEL  
 NEEDLE VALVE PN